

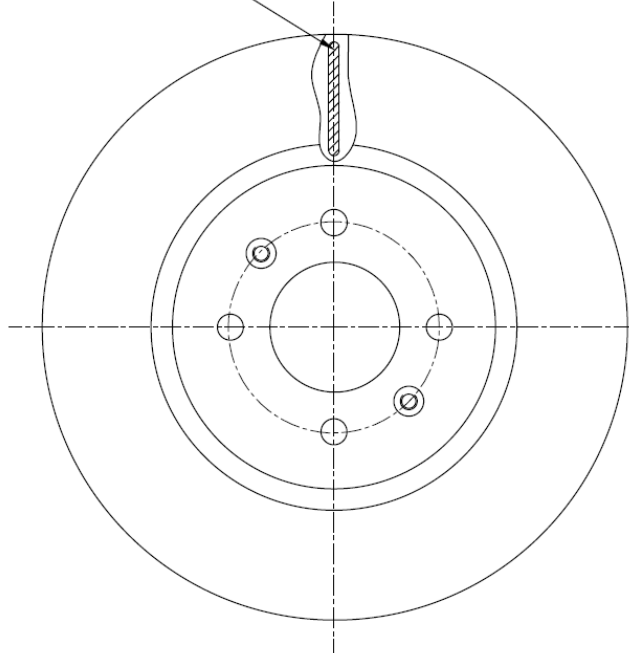
92239303

VS

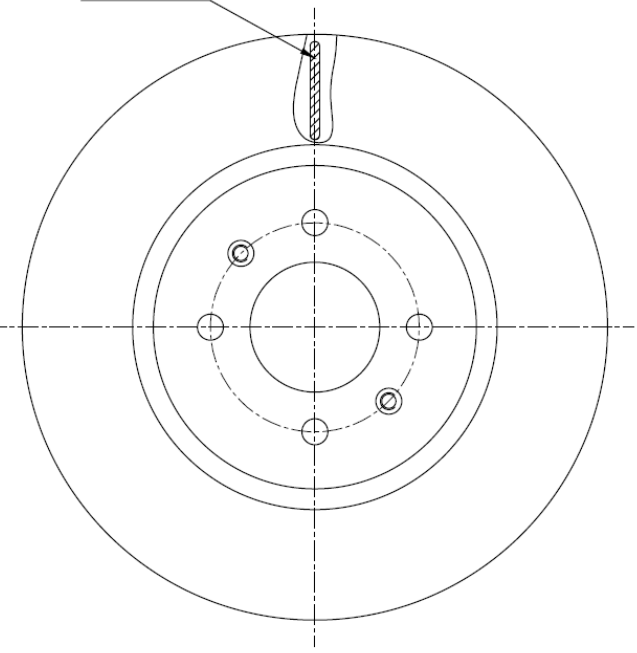
92288303

48 RIBS EQ.SP.

47 RIBS EQ.SP.



min.thickness 19.4



min.thickness 20.0